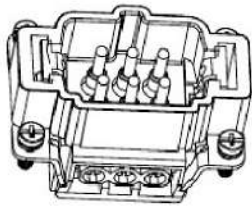
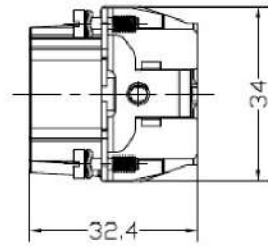
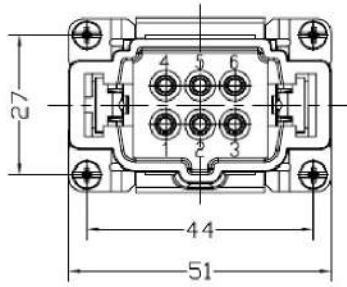
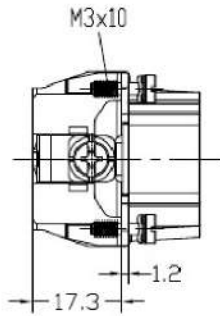


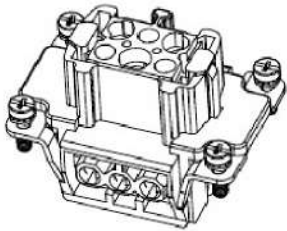
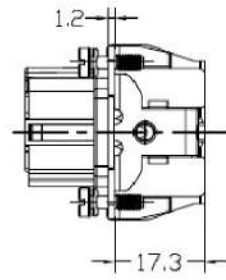
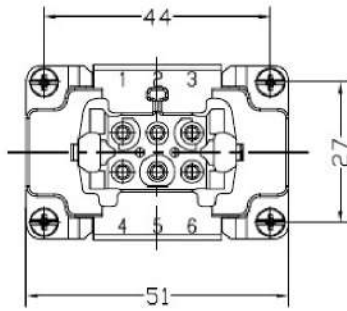
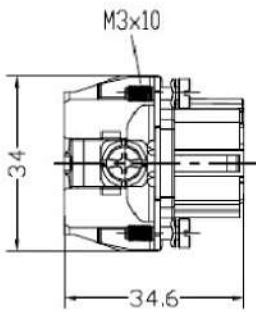




SYM		BCN		DESCRIPTION		DATE		APPROVED	



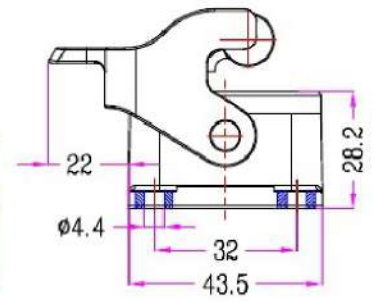
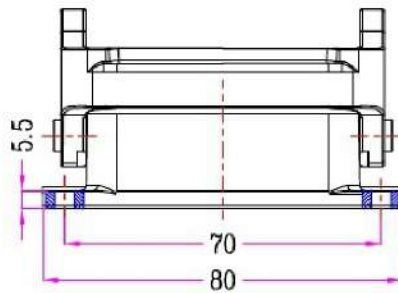
	SIGNATURE	DATE	Units	mm	 宁波欧科瑞连接器有限公司 NINGBO OKERUI CONNECTOR CO., LTD.	
DRAW			Size	A4	PART NAME	HZW-HE-006-M
DESIGN			Scale	1:1	Drawing NO.	61 206 006 261
CHECK			Sheet	1/1	File path	OKR. HEP. 006M
APPROVE			Proj.			REV
						A0

REVISION		DATA		
SYM	RCN	DESCRIPTION	DATE	APPROVED

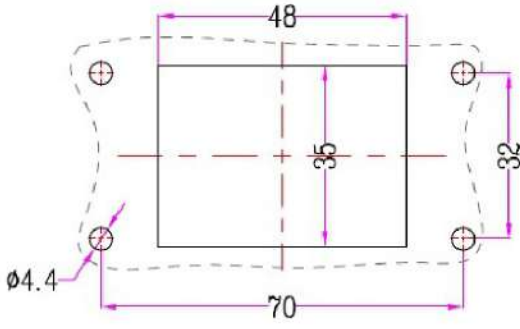


	SIGNATURE	DATE	Units	mm	 宁波欧科瑞连接器有限公司 NINGBO OKERUI CONNECTOR CO., LTD.		
DRAW			Size	A4			
DESIGN			Scale	1:1	PART NAME	HZW-HE-006-F	
CHECK			Sheet	1/1	Drawing NO.	61 206 006 262	REV
APPROVE			Proj.		File path	OKR. HEP. 006F	A0

1	2	3	4	5	6	7	8
Identification	Type name	Part number	Thread (M/PG)	Lever type	Your Choice	REVISION DATA	
Housings	HZW-H6B-ST-1PL/R	81 301 006 201		Plastic and Metal		SYM	ECN
Bulkhead mounting	HZW-H6B-ST-1PL/M	81 301 006 201		Metal		DESCRIPTION	DATE
							APPROVED

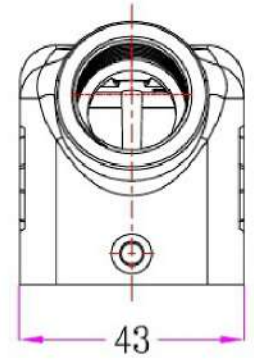
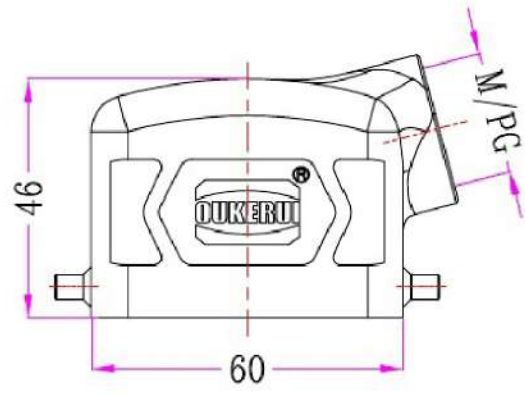




Bulkhead mounting  
Panel cut out



	SIGNATURE	DATE	Units	mm	宁波欧科瑞连接器有限公司 NINGBO OKERUI CONNECTOR CO., LTD.
DRAW			Size	A4	
DESIGN			Scale		TYPE NAME
CHECK			Sheet	1/1	Part number
APPROVE			Proj.		File path
					HZW-H6B-ST-1PL/RM
					81 301 006 201
					OKR.06B.H06BL
					REV
					A0

1	2		3		4	5	6		7		8
Identification	Type name		Part number	Thread (M/PG)	Your Choice	REVISION DATA					
Hoods Side entry	HZW-H6B-SK-2g-M20		82 311 006 020	M20		SYM	ECN	DESCRIPTION	DATE	APPROVED	
	HZW-H6B-SK-2g-PG13.5		82 311 006 013	PG13.5							
	HZW-H6B-SK-2g-PG16		82 311 006 016	PG16							



	SIGNATURE	DATE	Units	mm	 宁波欧科瑞连接器有限公司 NINGBO OKERUI CONNECTOR CO., LTD.		
DRAW			Size	A4			
DESIGN			Scale		TYPE NAME	HZW-H6B-SK-2g-M/PG	
CHECK			Sheet	1/1	Part number	82 311 006 XXX	REV
APPROVE			Proj.		File path	OKR.06B.H06BM	A0