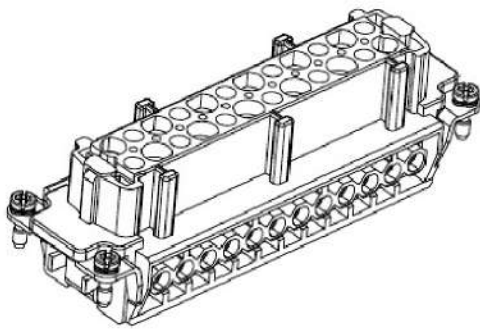
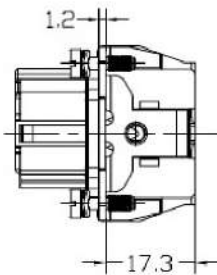
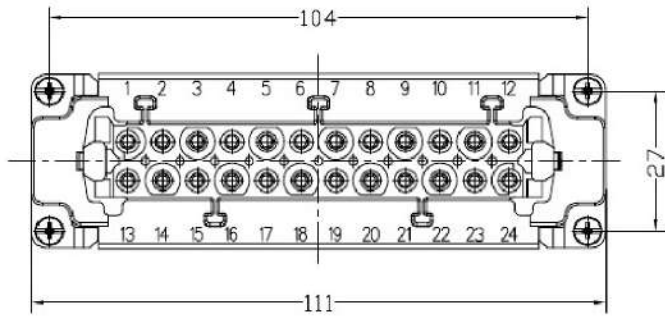
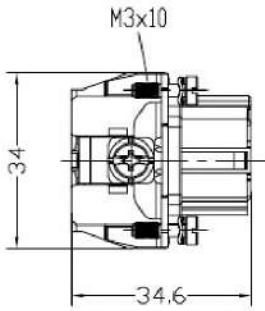


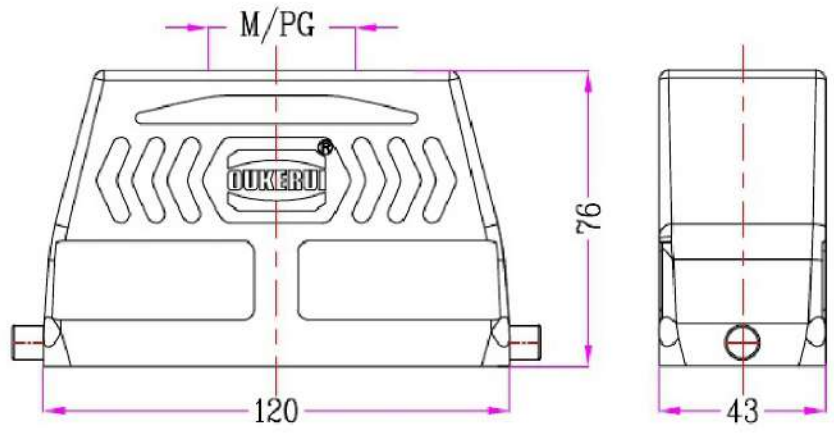




REVISION		DATA		
SYM	RCN	DESCRIPTION	DATE	APPROVED



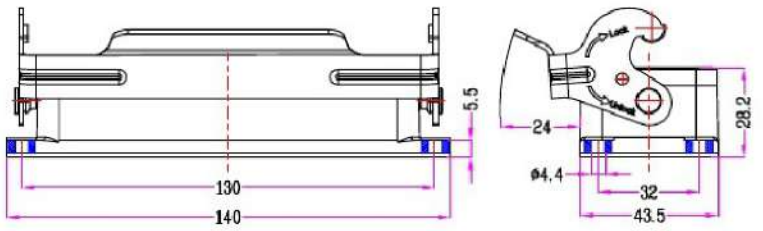
	SIGNATURE	DATE	Units	mm	 宁波欧科瑞连接器有限公司 NINGBO OKERUI CONNECTOR CO., LTD.		
DRAW			Size	A4			
DESIGN			Scale	1:1	PART NAME	HZW-HE-024-F	
CHECK			Sheet	1/1	Drawing NO.	61 206 024 292	REV
APPROVE			Proj.		File path	OKR. HEP. 024F	A0

1	2		3		4	5	6	7		8
Identification	Type name		Part number	Thread (M/PG)	Your Choice	REVISION DATA				
Hoods	HZW-H24B-TKH-2g-M32		82 304 024 132	M32		SYM	ECN	DESCRIPTION	DATE	APPROVED
Top entry	HZW-H24B-TKH-2g-M40		82 304 024 140	M40						
High structure	HZW-H24B-TKH-2g-PG21		82 304 024 121	PG21						
	HZW-H24B-TKH-2g-PG29		82 304 024 129	PG29						

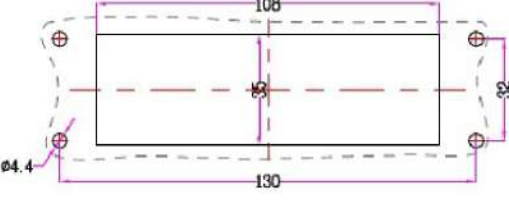




	SIGNATURE	DATE	Units	mm	 宁波欧科瑞连接器有限公司 NINGBO OUKERUI CONNECTOR CO., LTD.	
DRAW			Size	A4	TYPE NAME	HZW-H24B-TKH-2g-M/PG
DESIGN			Scale		Part number	82 304 024 XXX
CHECK			Sheet	1/1	REV	
APPROVE			Pro.j.		File path	OKR. 24B. H24BM

1	2		3		4	5	6		7		8
Identification	Type name		Part number	Thread (M/PG)	Lever type	Your Choice	REVISION DATA				
Housings	HZW-H24B-ST-1PL		81 304 024 201		Metal		SYM	ECN	DESCRIPTION	DATE	APPROVED
Bulkhead mounting											



Bulkhead mounting
Panel cut out



	SIGNATURE	DATE	Units	mm	 宁波欧科瑞连接器有限公司 NINGBO OKERUI CONNECTOR CO., LTD.		
DRAW			Size	A4			
DESIGN			Scale		TYPE NAME	HZW-H24B-ST-1PL	
CHECK			Sheet	1/1	Part number	81 304 024 201	REV
APPROVE			Pro.j.		File path	OKR. 24B. H24BL	A0