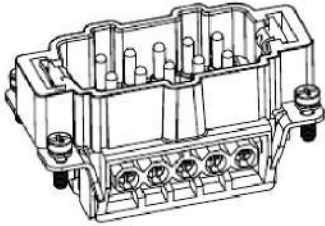
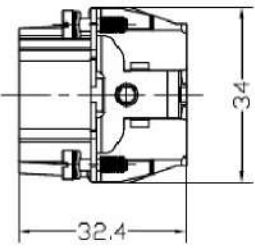
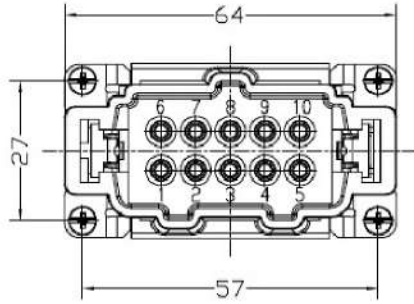
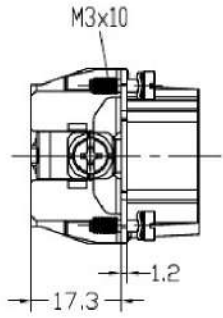


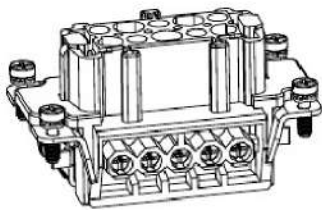
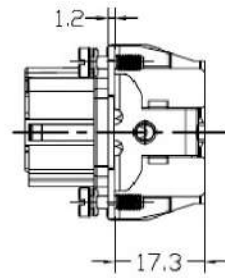
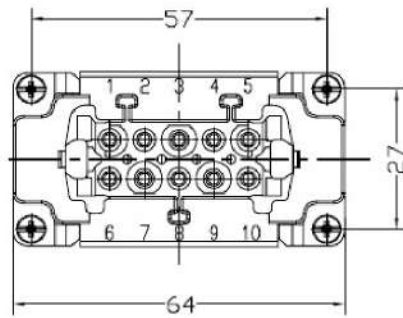
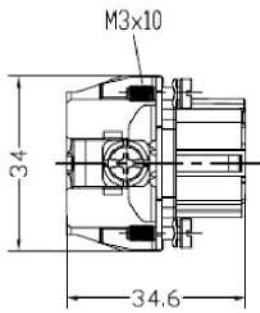




REVISION		DATA		
SYM	RCN	DESCRIPTION	DATE	APPROVED



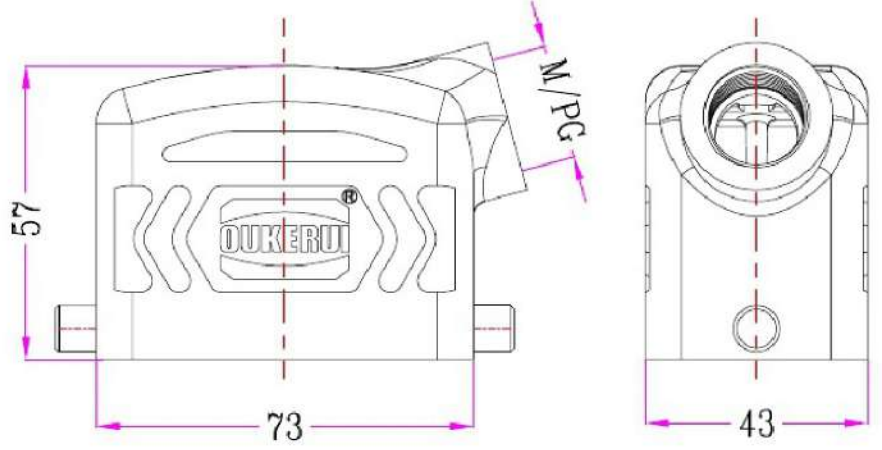
	SIGNATURE	DATE	Units	mm	 宁波欧科瑞连接器有限公司 NINGBO OKERUI CONNECTOR CO., LTD.		
DRAW			Size	A4			
DESIGN			Scale	1:1	PART NAME	HZW-HE-010-M	
CHECK			Sheet	1/1	Drawing NO.	61 206 010 271	REV
APPROVE			Proj.		File path	OKR. HEP. 010M	A0



SYM		BCN		REVISION DATA		
				DESCRIPTION	DATE	APPROVED



	SIGNATURE	DATE	Units	mm	 宁波欧科瑞连接器有限公司 NINGBO OKERUI CONNECTOR CO., LTD.	
DRAW			Size	A4	PART NAME	HZW-HE-010-F
DESIGN			Scale	1:1	Drawing NO.	61 206 010 272
CHECK			Sheet	1/1	File path	OKR. HEP. 010F
APPROVE			Proj.			REV
						A0

1	2		3		4	5	6		7		8
Identification	Type name		Part number	Thread (M/PG)	Your Choice	REVISION DATA					
Hoods Side entry	HZW-H10B-SK-2g-M20		82 312 010 020	M20		SYM	ECN	DESCRIPTION	DATE	APPROVED	
	HZW-H10B-SK-2g-M25		82 312 010 025	M25							
	HZW-H10B-SK-2g-PG16		82 312 010 016	PG16							

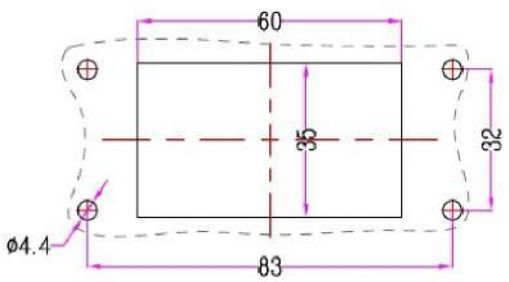
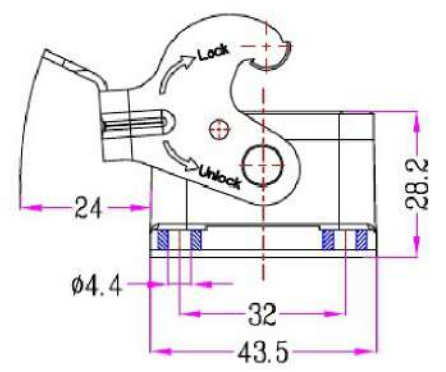
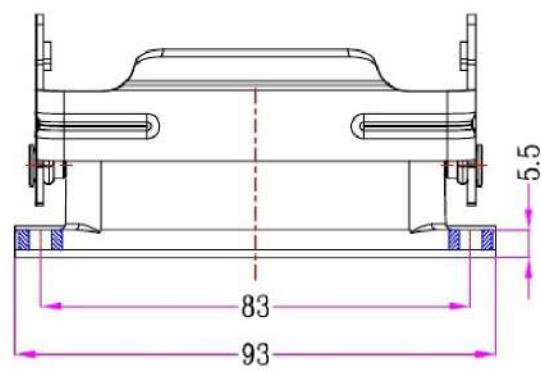


	SIGNATURE	DATE	Units	mm	 宁波欧科瑞连接器有限公司 NINGBO OUKERUI CONNECTOR CO., LTD.	
DRAW			Size	A4	TYPE NAME	HZW-H10B-SK-2g-M/PG
DESIGN			Scale		Part number	82 312 010 XXX
CHECK			Sheet	1/1	REV	
APPROVE			Pro.j.		File path	OKR.10B.H10BM

1	2	3	4	5	6	7	8
Identification	Type name	Part number	Thread (M/PG)	Lever type	Your Choice	REVISION DATA	
Housings	HZW-H10B-ST-1PL	81 302 010 201		Metal		SYM	ECN
Bulkhead mounting						DESCRIPTION	DATE
							APPROVED



Bulkhead mounting
Panel cut out



	SIGNATURE	DATE	Units	mm	宁波欧科瑞连接器有限公司 NINGBO OUKERUI CONNECTOR CO., LTD.
DRAW			Size	A4	
DESIGN			Scale		TYPE NAME HZW-H10B-ST-1PL
CHECK			Sheet	1/1	Part number 81 302 010 201
APPROVE			Pro.j.		File path OKR.10B.H10BL
					REV
					A0