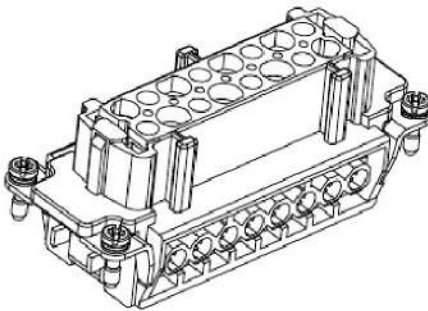
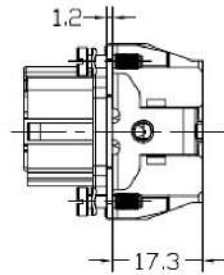
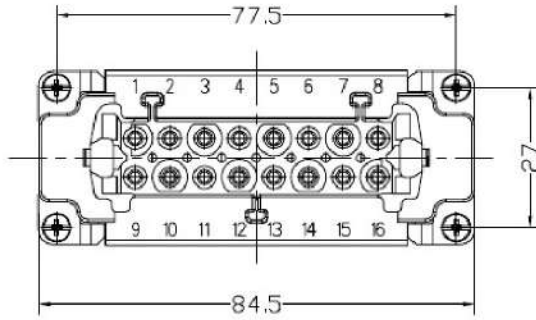
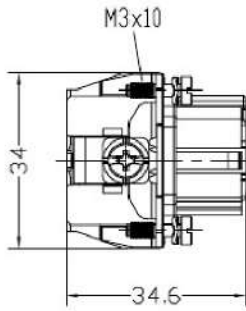


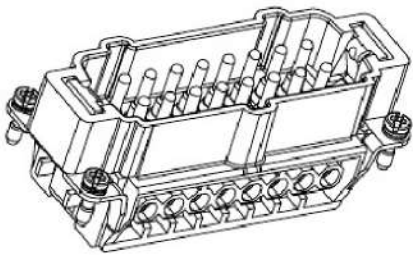
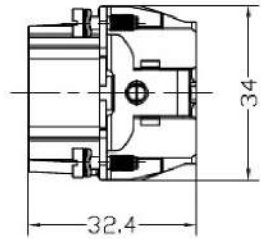
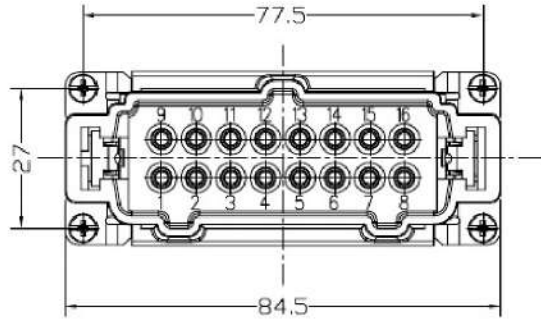
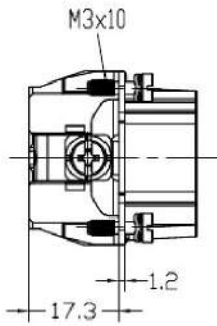




REVISION		DATA		
SYM	RCN	DESCRIPTION	DATE	APPROVED



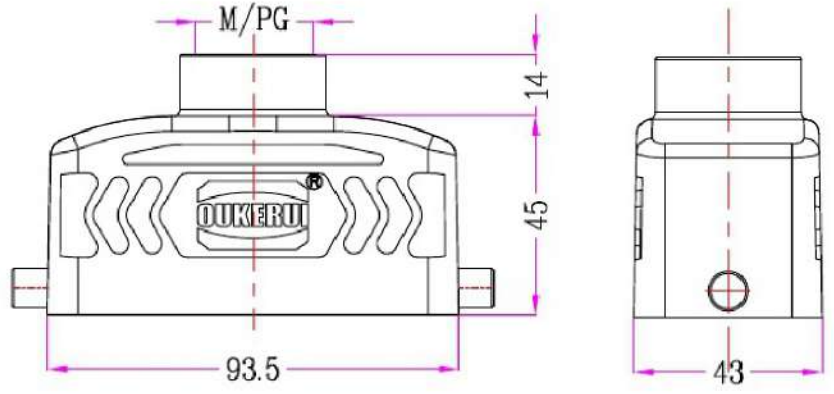
	SIGNATURE	DATE	Units	mm	 宁波欧科瑞连接器有限公司 NINGBO OKERUI CONNECTOR CO., LTD.		
DRAW			Size	A4			
DESIGN			Scale	1:1	PART NAME	<b>HZW-HE-016-F</b>	
CHECK			Sheet	1/1	Drawing NO.	<b>61 206 016 282</b>	REV
APPROVE			Proj.		File path	OKR. HEP. 016F	A0



REVISION		DATA		
SYM	RCN	DESCRIPTION	DATE	APPROVED



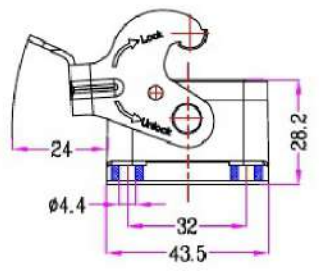
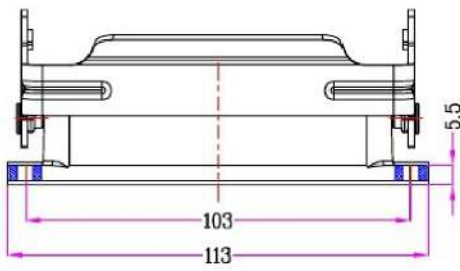
	SIGNATURE	DATE	Units	mm	 宁波欧科瑞连接器有限公司 NINGBO OKERUI CONNECTOR CO., LTD.		
DRAW			Size	A4			
DESIGN			Scale	1:1	PART NAME	HZW-HE-016-M	
CHECK			Sheet	1/1	Drawing NO.	61 206 016 281	REV
APPROVE			Proj.		File path	OKR. HEP. 016M	A0

1	2		3		4	5	6		7		8
Identification	Type name		Part number	Thread (M/PG)	Your Choice	REVISION DATA					
Hoods Top entry	HZW-H16B-TK-2g-M25		82 303 016 025	M25		SYM	ECN	DESCRIPTION	DATE	APPROVED	
	HZW-H16B-TK-2g-M32		82 303 016 032	M32							
	HZW-H16B-TK-2g-PG21		82 303 016 021	PG21							

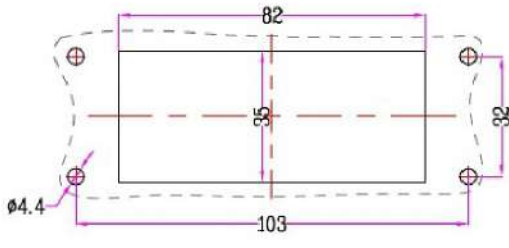




	SIGNATURE	DATE	Units	mm	 宁波欧科瑞连接器有限公司 NINGBO OKERUI CONNECTOR CO., LTD.	
DRAW			Size	A4	TYPE NAME	HZW-H16B-TK-2g-M/PG
DESIGN			Scale		Part number	82 303 016 XXX
CHECK			Sheet	1/1	REV	
APPROVE			Proj.		File path	OKR.16B.H16BM

1	2		3		4	5	6		7		8
Identification	Type name		Part number	Thread (M/PG)	Lever type	Your Choice	REVISION DATA				
Housings	HZW-H16B-ST-1PL		81 303 016 201		Metal		SYM	ECN	DESCRIPTION	DATE	APPROVED
Bulkhead mounting											



Bulkhead mounting  
Panel cut out



	SIGNATURE	DATE	Units	mm	 宁波欧科瑞连接器有限公司 NINGBO OUKERUI CONNECTOR CO., LTD.		
DRAW			Size	A4			
DESIGN			Scale		TYPE NAME	HZW-H16B-ST-1PL	
CHECK			Sheet	1/1	Part number	81 303 016 201	REV
APPROVE			Proj.		File path	OKR.16B.H16BL	A0